

Test: Primary 6 Math (Term 4) - Rosyth (Y0)

Points: 49 points

Name: _____

Score: _____

Date: _____

Signature: _____

Select multiple choice answers with a cross or tick:

- Only select one answer
- Can select multiple answers

Question 1 of 54

Primary 6 Math (Prelim) 1 pt

round off 80 282 to the nearest tenth.

- A) 80
- B) 80.2
- C) 80.3
- D) 80.28

Question 2 of 54

Primary 6 Math (Prelim) 1 pt

Express $6+10f-4+2f$ in the simplest form

- A) $12f+2$
- B) $12f+1012f+2$
- C) $14f-4$
- D) $18f-4$

Question 3 of 54

Primary 6 Math (Prelim) 1 pt

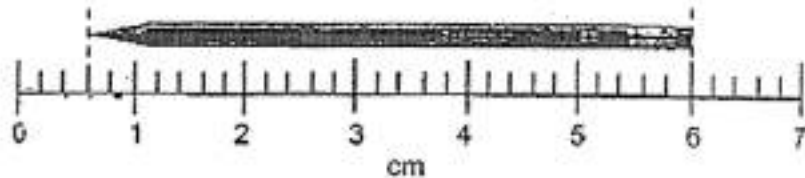
The average amount of money saved by Annie and Ben was \$36. Annie saved three times as much as Ben. How much did Ben save?

- A) \$9
- B) \$18
- C) \$54
- D) \$72

Question 4 of 54

Primary 6 Math (Prelim) 1 pt

What is the length of the pencil in the figure below?



- A) 5.2cm
- B) 5.4cm
- C) 5.8cm
- D) 6.0cm

Question 5 of 54

Primary 6 Math (Prelim) 1 pt

What is the possible mass of the watermelon in the figure below?



-
- A) 6.5g
- B) 65g
- C) 6.5kg
- D) 65kg

Question 6 of 54

Primary 6 Math (Prelim) 1 pt

Weng is facing East. He turns 225 in a clockwise direction. He then turns 45 in an anti-clockwise direction. Which direction is he facing now?

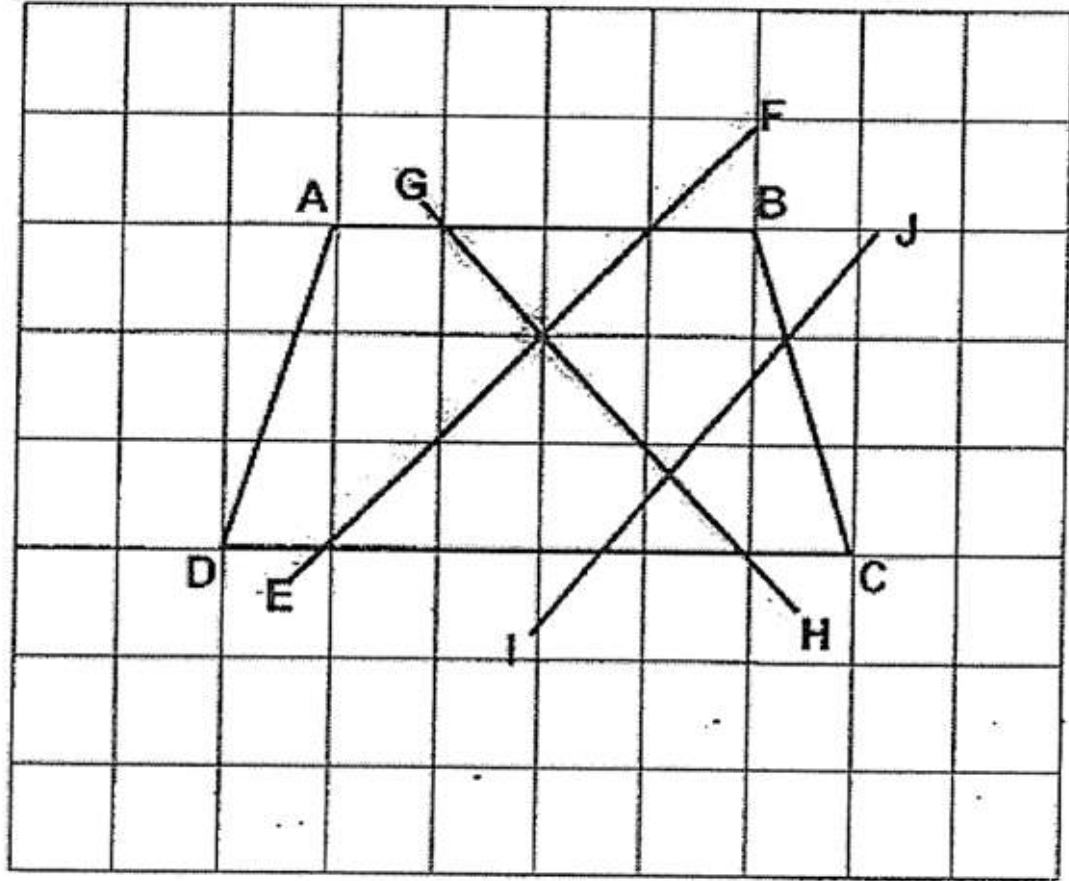
-
- A) North
- B) South
- C) East
- D) West

Question 7 of 54

Primary 6 Math (Prelim)

1 pt

Which two lines are perpendicular to each other?

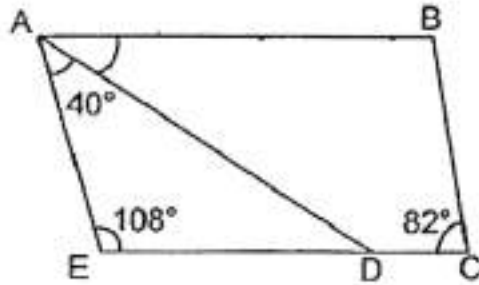


- A) AB and CD
- B) GH and IJ
- C) EF and IJ
- D) GH and EF

Question 8 of 54

Primary 6 Math (Prelim) 1 pt

In the figure below, ABCD is a trapezium. EDC is a straight line. AB is parallel to DC. Find $\angle DAB$.



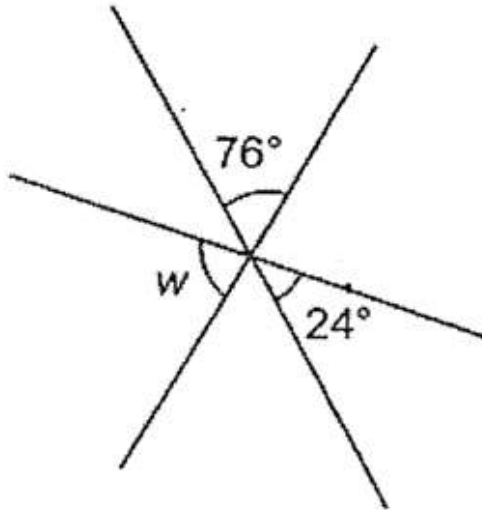
- A) 22
- B) 32
- C) 42
- D) 68

Question 9 of 54

Primary 6 Math (Prelim)

1 pt

The figure below is made up of 3 straight lines. Find $\angle w$.




- A) 66
- B) 80
- C) 100
- D) 104

Question 10 of 54

Primary 6 Math (Prelim) 1 pt

The table below shows the rental fees for skates.

Skates for Rent		
First hour	\$10 per pair	
Every additional $\frac{1}{2}$ hour	\$6 per pair	

Cedelle rented a pair of skates from 10 am to 12 noon. How much did she pay?

- A) \$16
- B) \$20
- C) \$22
- D) \$32

Question 11 of 54

Primary 6 Math (Prelim) 1 pt

A number when divided by 10 gives a remainder of 7. Which of the following can be added to the number to change it to a multiple of 5?

- A) 5
- B) 2
- C) 3
- D) 4

Question 12 of 54

Primary 6 Math (Prelim) 1 pt

Mr Lim had \$100. He bought 2 crabs which cost \$30.50 each and some fishes which cost \$23.70. How much money had he left?

- A) \$15.30
- B) \$45.80
- C) \$84.70
- D) \$184.70

Question 13 of 54

Primary 6 Math (Prelim) 1 pt

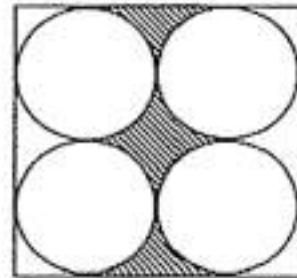
Mdm Rosie sold only roses on Mother's Day. She sold 200 stalks of them in the morning and $\frac{2}{5}$ of the remainder in the afternoon. After that, she had $\frac{1}{2}$ of the roses left. How many stalks of roses did she sell in the afternoon?

- A) 400
- B) 600
- C) 1000
- D) 1200

Question 14 of 54

Primary 6 Math (Prelim) 1 pt

The figure below is made up of 4 identical circles inside a square. The length of the square is 28 cm. Find the perimeter of the shaded part. (Take $\pi = \frac{22}{7}$)



- A) 88 cm
- B) 102 cm
- C) 116 cm
- D) 144 cm

Question 15 of 54

Primary 6 Math (Prelim) 1 pt

A survey was conducted to find out the favourite snack of a group of 50 children. They could only pick one type of snack and each type was picked by at least one child.

The table below showed the results of the survey. Given that the most popular snack is Mamee Monster and the least popular snack was prawn crackers, what was the greatest number of children who picked Potato chips ?

Favourite snacks

Mamee Monster	Potato Chips	Prawn Crackers	Chocolates
24	?	3	

- A) 19
- B) 23
- C) 27
- D) 4

Question 16 of 54

Primary 6 Math (Prelim) 1 pt

List all the common factors of 20 and 35

____,____,____,.....

Question 17 of 54

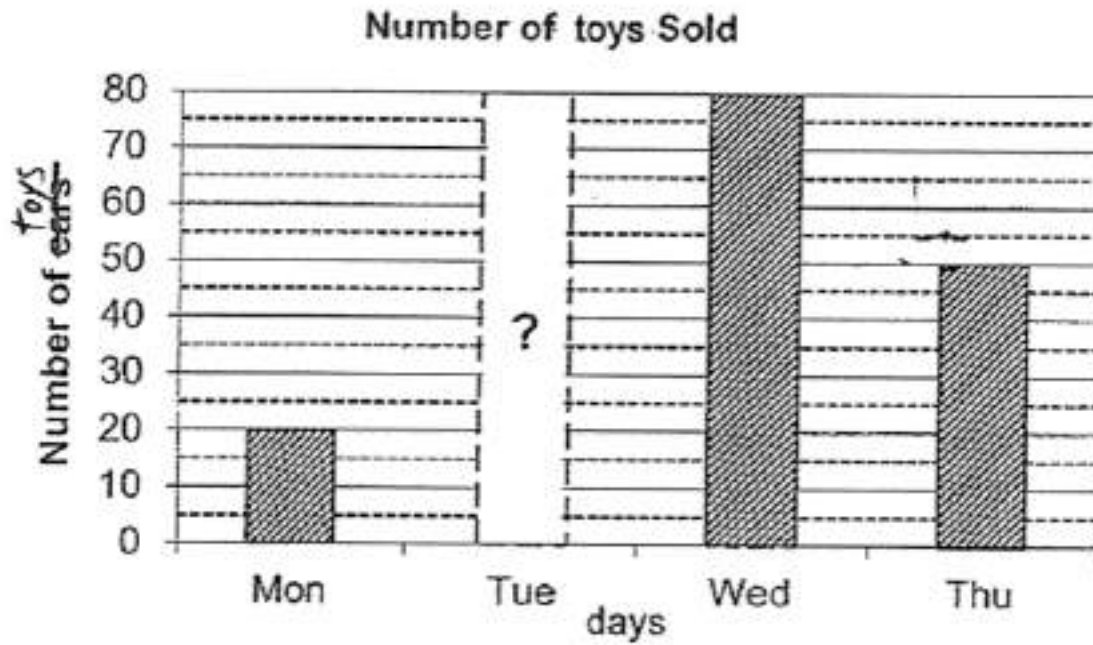
Primary 6 Math (Prelim) 1 pt

Express 3.2 as a percentage

Question 18 of 54

Primary 6 Math (Prelim) 1 pt

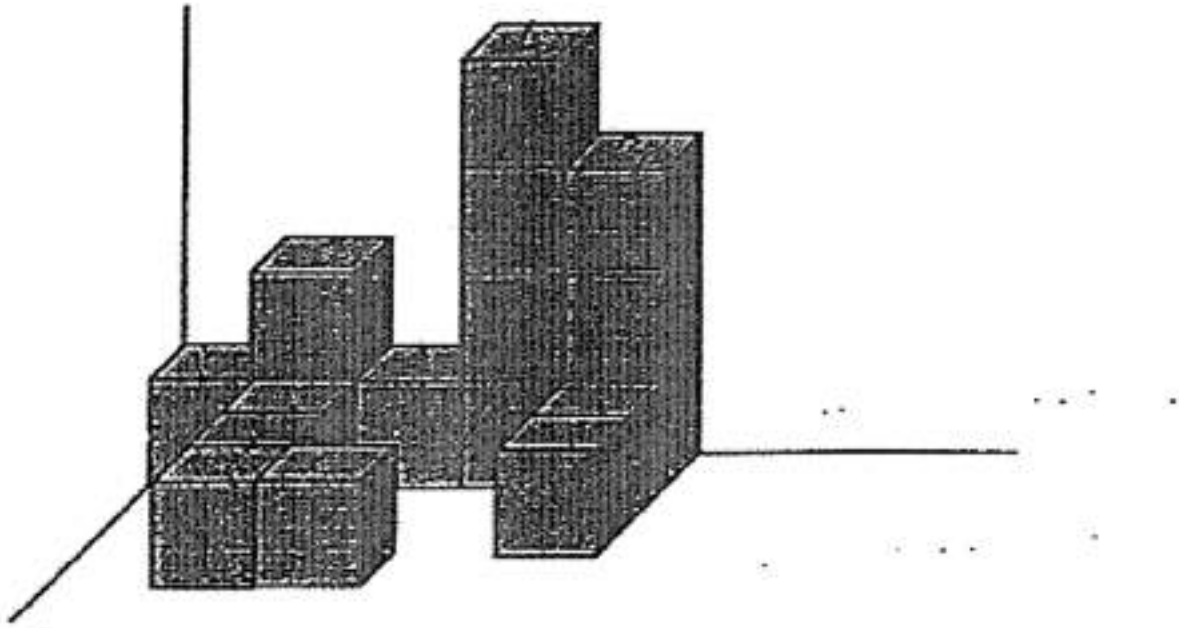
At a carnival, 215 toys were sold in 4 days.
How many toys were sold on Tuesday?



Question 19 of 54

Primary 6 Math (Prelim) 1 pt

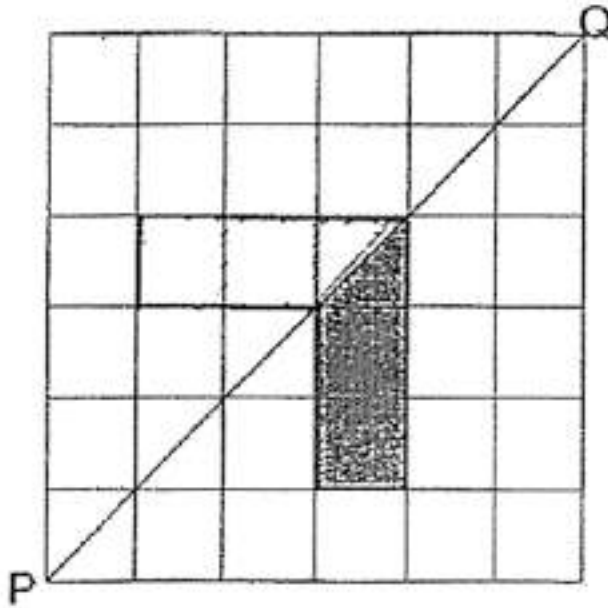
The figure below shows a solid that is made up of 1-cm cubes.
Find the volume of the solid.



Question 20 of 54

Primary 6 Math (Prelim) 0 pts

Complete symmetric figure below with PQ as the line of symmetry.



Question 21 of 54

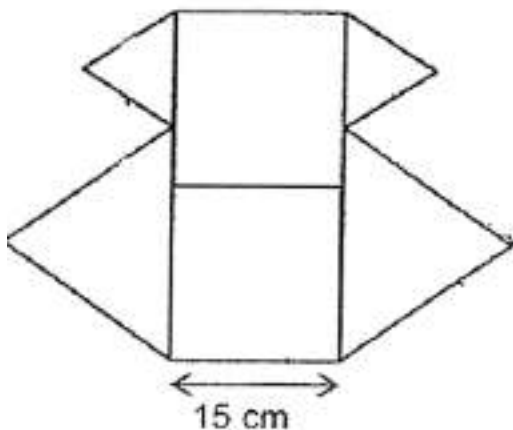
Primary 6 Math (Prelim) 0 pts

Find the value of $7 \div 8$. Give your answer correct to 2 decimal places

Question 22 of 54

Primary 6 Math (Prelim) 1 pt

The figure below, not drawn to scale, is formed using 2 identical squares, 2 identical large equilateral triangles and 2 identical small equilateral triangles. The length of the square is 15 cm. Find the perimeter of the figure.



Question 23 of 54

Primary 6 Math (Prelim) 1 pt

Nicole had some sugar.

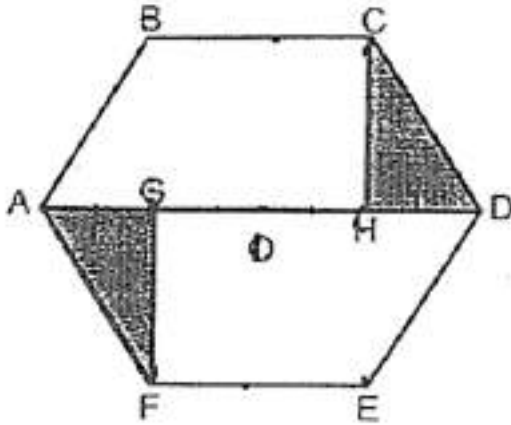
She used $\frac{1}{5}$ kg of the sugar to make cupcakes and $\frac{1}{3}$ of the sugar to

make jelly. She had 140 g of sugar left. How many grams of sugar did Nicole have at first?

Question 24 of 54

Primary 6 Math (Prelim) 1 pt

ABCD and DEFA are identical trapeziums. $AG=GO=OH=HD$. What fraction of the figure is shaded? Leave your answer in the simplest form.

**Question 25 of 54**

Primary 6 Math (Prelim) 1 pt

Bridget is 12 Years old now. Her cousin is y years younger than her. Find their combined age 5 Years later in terms of y .

Question 26 of 54

Primary 6 Math (Prelim) 1 pt

The table below shows the month of April in one year. Mr Osman plans to attend a course 38 days after 12 April. Which day will he be attending the course?

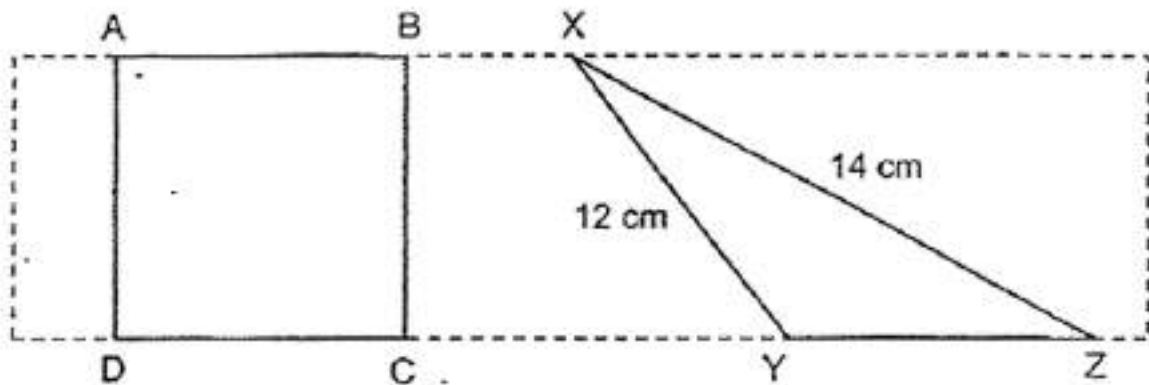
April						
Sun	Mon	Tue	Wed	Thu	Fri	Sat
					1	2
3	4	5	6	7	8	9
10	11	12	13	14	15	16
17	18	19	20	21	22	23
24	25	26	27	28	29	30

-
- A) Sun
- B) Mon
- C) Tue
- D) *Wed*
- E) Thu
- F) Fri
- G) Sat

Question 27 of 54

Primary 6 Math (Prelim) 1 pt

James cuts out a square and a triangle from a rectangular strip of paper as shown below. Square ABCD has an area of 81cm^2 . Square ABCD has same the perimeter as Triangle XYZ. XY is 12 cm and XZ is 14 cm. Find the area of Triangle XYZ.



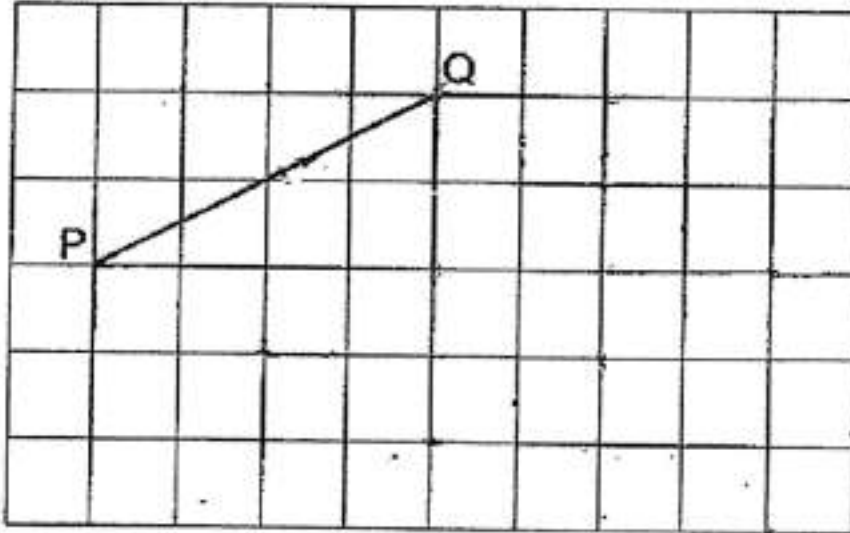
Question 28 of 54

Primary 6 Math (Prelim) 0 pts

In the square grid, PQ is a straight line.

PQ forms one side of a rhombus PQRS.

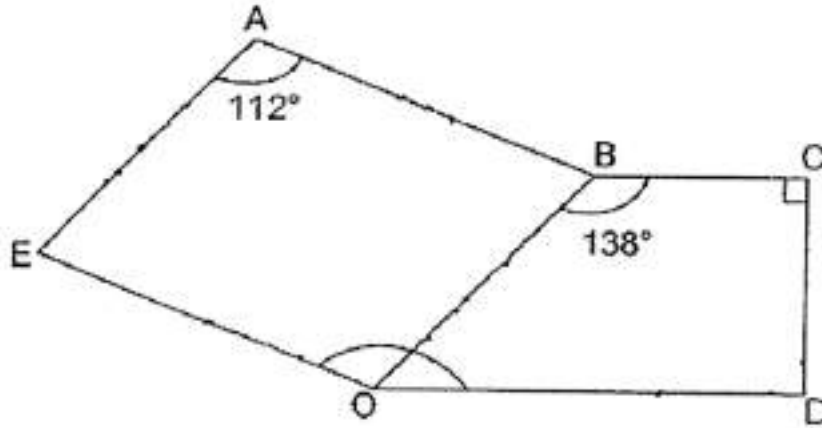
Complete the drawing of the rhombus PQRS. Label the points R and S.



Question 29 of 54

Primary 6 Math (Prelim) 1 pt

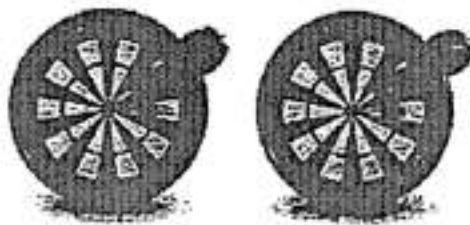
The figure below is made up of a parallelogram ABOE and a trapezium BCDO. $\angle EAB = 112^\circ$ and $\angle OBC = 138^\circ$. Find $\angle EOD$.



Question 30 of 54

Primary 6 Math (Prelim) 1 pt

At a carnival, 5 boys played darts at 2 stations from 9 a.m. to 10.30 a.m. At any time, 2 of them played while the other 3 boys watched. If each of them had the same amount of time playing darts, how many minutes did each boy play the game?



Question 31 of 54

Primary 6 Math (Prelim) 1 pt

Uncle Bob sells bubble tea at \$6.30 per cup of 700ml. He only sells one size of bubble tea at his stall. Uncle Bob wants to make \$1000 a day. What is the minimum number of cups he must sell?

Question 32 of 54

Primary 6 Math (Prelim) 1 pt

Miss Lee bought $\frac{8}{9}$ kg of butter. $\frac{1}{3}$ kg of butter was needed to bake a cake. She wanted to bake the greatest possible number of cakes.

Statement: The greatest number of cakes Miss Lee could bake was 2

- A) True
- B) False
- C) Not possible to tell

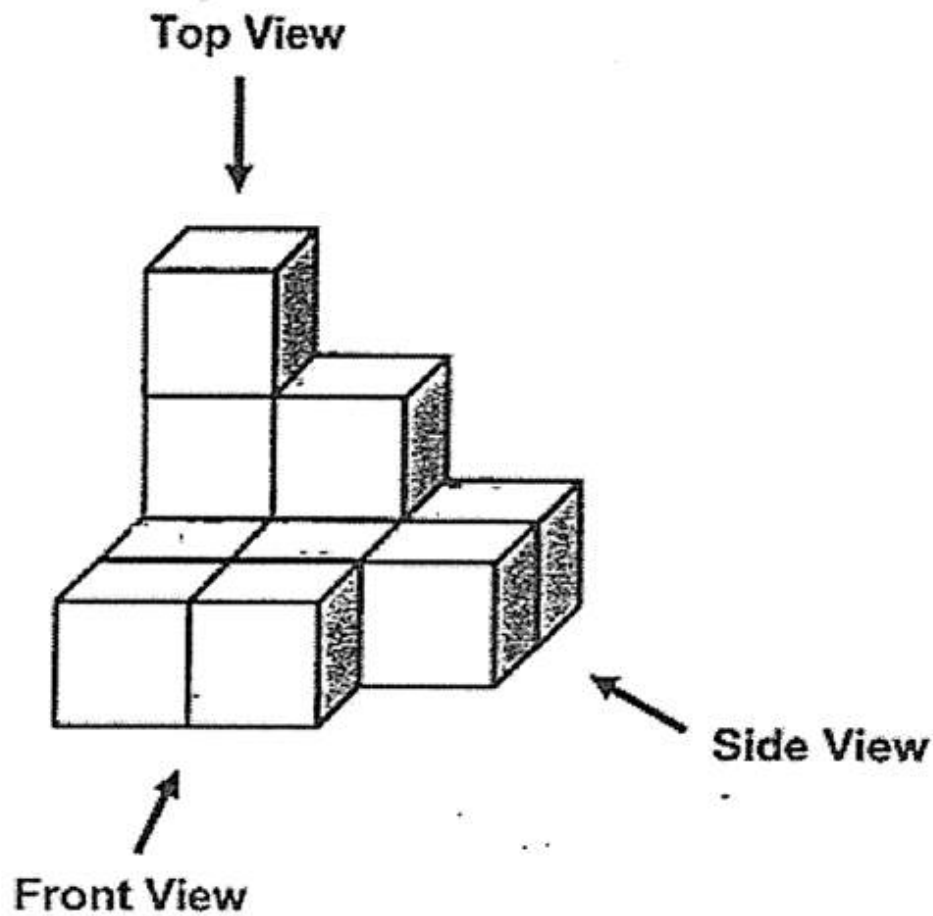
Question 33 of 54

Primary 6 Math (Prelim) 1 pt

Statement: After baking, Miss Lee had $\frac{2}{3}$ kg of butter left

- A) True
- B) False
- C) Not possible to tell

The solid below is made up of 11 cubes.



(a) Draw the side view of the solid on the grid below.

Side View



Question 35 of 54

Primary 6 Math (Prelim) 0 pts

Norah painted the whole solid including the base. Then she took it apart into its 11 cubes. How many of the cubes have 2 of the faces painted?

Question 36 of 54

Primary 6 Math (Prelim) 1 pt

There are two numbers. One is 3 times the other. They have exactly four common factors. Three of the common factors are 1, 3 and 7. What are the two numbers?

____, ____

Question 37 of 54

Primary 6 Math (Prelim) 1 pt

A sum of money was shared among three girls, Maggie, Alice and Cecilia. Maggie received \$ m . Alice received twice as much money as Maggie. Cecilia received \$55 less than Alice.

a) Express the amount of Cecilia's money in terms of m

Question 38 of 54

Primary 6 Math (Prelim) 1 pt

b) if $m=55$, find the total sum of money shared by the three girls

Question 39 of 54

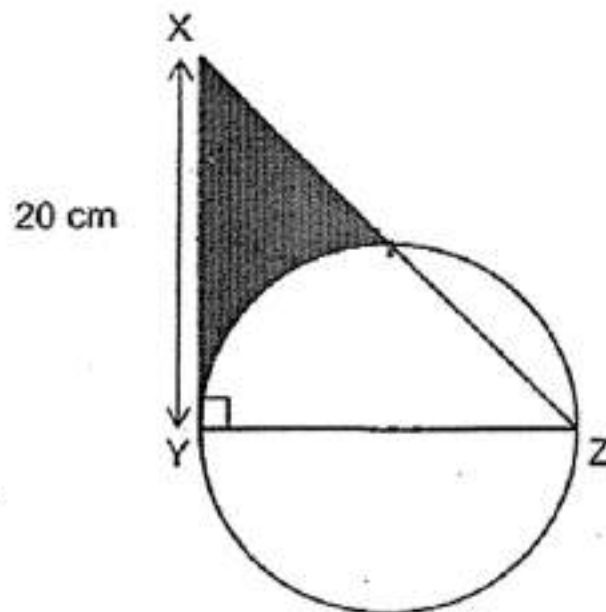
Primary 6 Math (Prelim) 1 pt

Mr Chan bought some pots of plants at \$15 each. He also bought an equal number of identical bags of soil for the plants. The average price of a pot of plant and a bag of soil was \$12.50. Mr Chan paid \$45 less for the bags of soil than the plants. How much did he spend on the plants?

Question 40 of 54

Primary 6 Math (Prelim) 1 pt

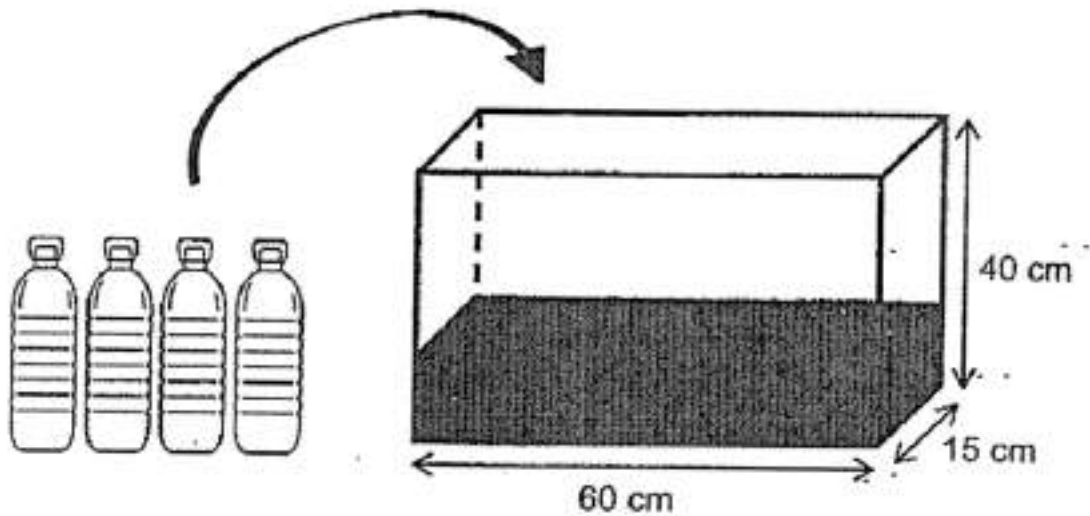
The figure below, not drawn to scale, is made up of a circle and a right-angled triangle XYZ . $XY = YZ$. XY is 20 cm. YZ is the diameter of the circle. Find the area of the shaded part. (Take $\pi = 3.14$)



Question 41 of 54

Primary 6 Math (Prelim) 1 pt

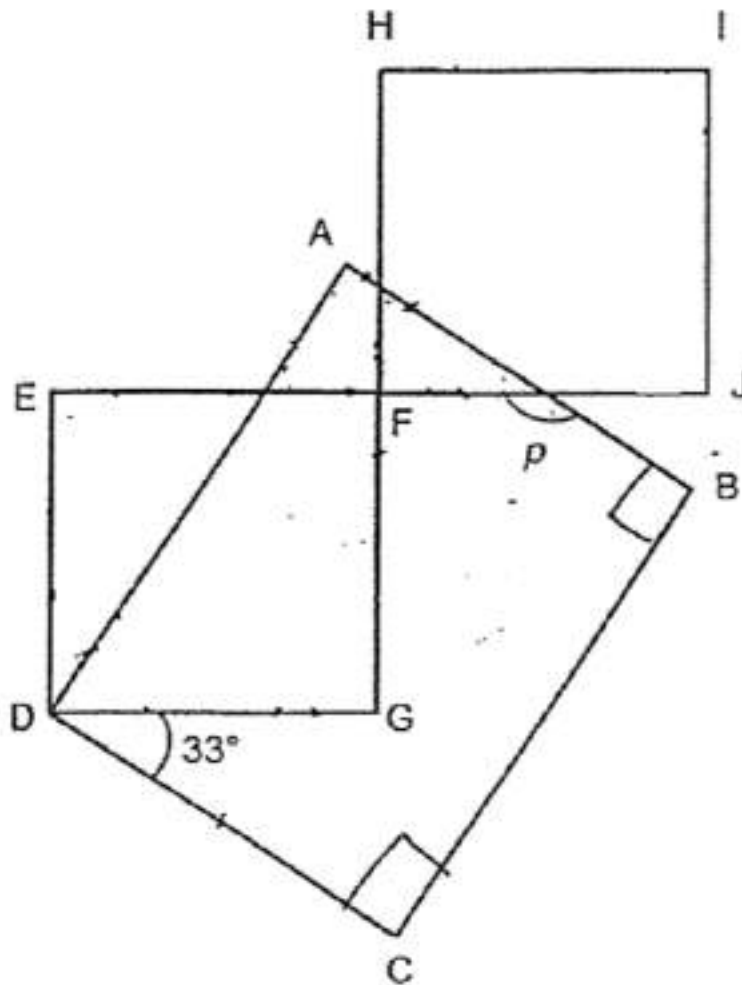
A rectangular tank measuring 60 cm long by 15 cm wide by 40 cm high was $\frac{1}{3}$ filled with water at first. Devi filled 4 identical bottles with water to the brim. Then she poured all of the water from the bottles into the rectangular tank and the tank became $\frac{3}{4}$ full. What was the capacity of each bottle?



Question 42 of 54

Primary 6 Math (Prelim) 1 pt

The figure is made up of a rectangle ABCD and 2 identical squares DEFG and HIJF. EJ and HG are straight lines. Find $\angle p$.



Question 43 of 54

Primary 6 Math (Prelim) 1 pt

Alex and Benjamin were each given some stickers. Alex had four times as many stickers as Benjamin. After Alex gave away 203 stickers and Benjamin gave away 26 stickers, Benjamin had three times as many stickers as Alex. How many more stickers did Alex have than Benjamin at first?

Question 44 of 54

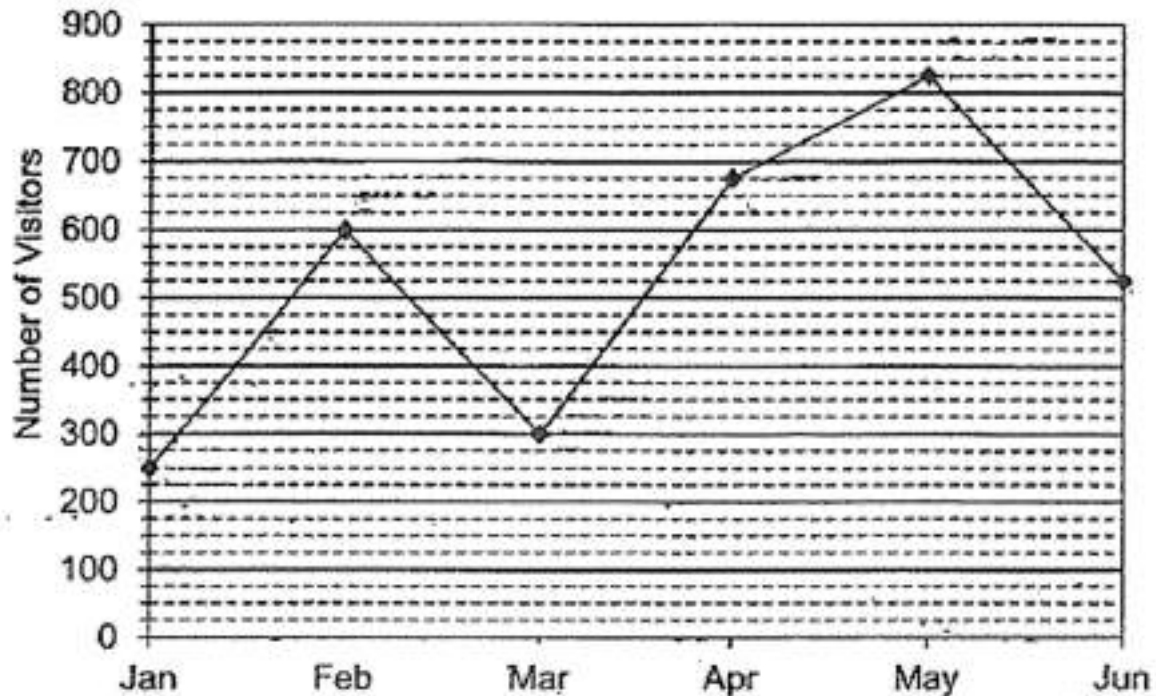
Primary 6 Math (Prelim) 1 pt

Mel has a total of 648 black and white buttons. He has 360 more black buttons than white buttons. He puts all the black buttons equally into empty black boxes and puts all the white buttons equally into empty white boxes. There are thrice as many black boxes as white boxes. Each black box contains 4 more buttons than each white box. How many buttons are there in each white box?

Question 45 of 54

Primary 6 Math (Prelim) 1 pt

The graph shows the number of visitors to the museum from January to June.



- a) In which one-month period was there the greatest change in the number of visitors to the museum ?

- A) Jan to Feb
 B) Feb to Mar
 C) Mar to Apr
 D) Apr to May
 E) May to Jun

Question 46 of 54

Primary 6 Math (Prelim) 1 pt

- b) In month of June, for every adult visitor, two visitors were children. How many visitors were children in June?

Question 47 of 54

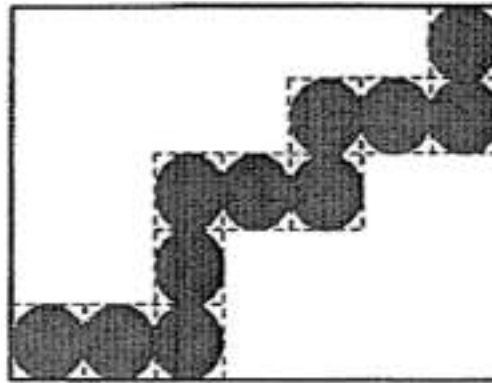
Primary 6 Math (Prelim) 1 pt

c) From January to February what was the percentage increase in the number of visitors to the museum?

Question 48 of 54

Primary 6 Math (Prelim) 1 pt

The figure below shows a rectangle and 11 identical shaded circles. Each shaded circle is in contact with those next to it. The rectangle has a perimeter of 384 cm.



a) Find the radius of one circle.

Question 49 of 54

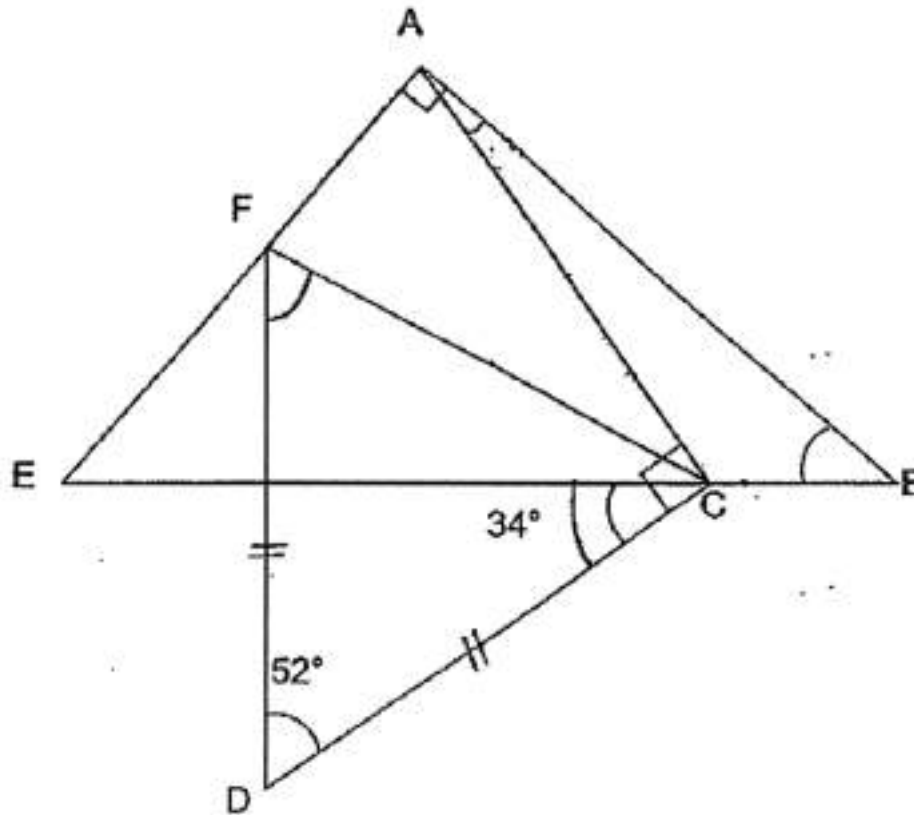
Primary 6 Math (Prelim) 1 pt

b) More identical shaded circles are added. The whole rectangle is then covered with the maximum number of shaded circles. Find the area of the rectangle that is not covered by the shaded circles.

Question 50 of 54

Primary 6 Math (Prelim) 1 pt

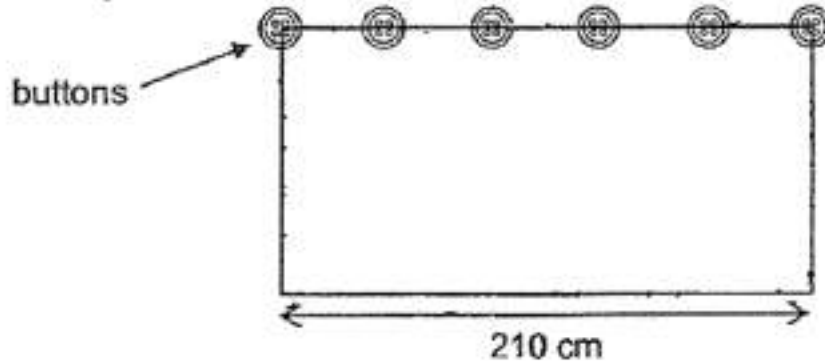
The figure below is made up of a right-angled triangle ABE and two isosceles triangles ACF and CDF. $AC = FC$ and $DF = DC$. Find $\angle ABC$.



Question 51 of 54

Primary 6 Math (Prelim) 1 pt

Yanti decorated the sides of a rectangular board with 16 buttons. The buttons were placed at an equal distance apart along all the sides of the board. The length of the board was 210 cm. The figure below shows part of her layout.



- a) What was the breadth of the rectangular board?

Question 52 of 54

Primary 6 Math (Prelim) 1 pt

- b) After that, Yanti decided to use a combination of ribbons and buttons. She spent $\frac{1}{4}$ of her money on 16 buttons and 4 ribbons. The cost of each ribbon is twice the cost of each button. Yanti bought some more ribbons with $\frac{1}{2}$ of her remaining money. How many ribbons did she buy altogether in the end ?

Question 53 of 54

Primary 6 Math (Prelim) 1 pt

Mdm Yap sold some T-shirts in March. The table belows shows the number of T-shirts sold for size S and L but not size M and XL.

Size of T-shrt	Number of T-shirt
S	80
M	?
L	400
XL	?

- (a) 50% of the T-shirt were in size L. The ratio of the number of T-shirt in size M to size XL is 5 : 11. How many of the T-shirts were in size M?
-

Question 54 of 54

Primary 6 Math (Prelim) 1 pt

- b) Mdm Yap sold all of her T-shirts in the size of S at the usual price and all of her T-shirts in size M at a discount of 25%. She received a total \$1620 from the sale. The amount of money she received from the sale of the T-shirt in size M was \$180 more than the sale of T-shirt in the size S. What is the price difference in the cost of a T-shirt in size S and a T shirt in size M at their usual price?
-